

# PICK & CARRY CRANE

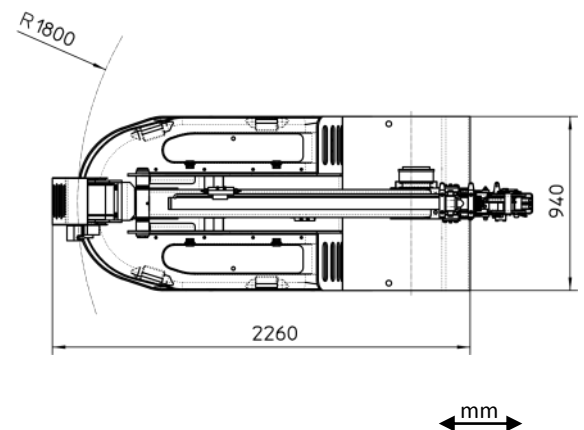
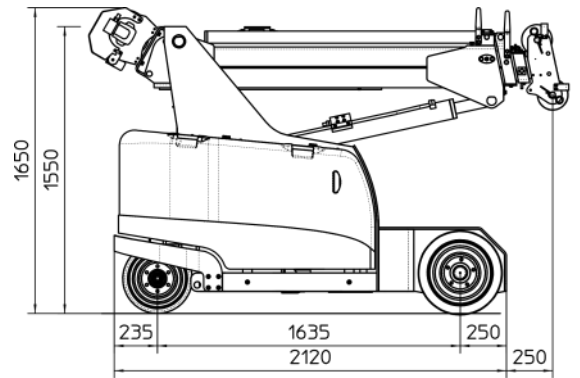
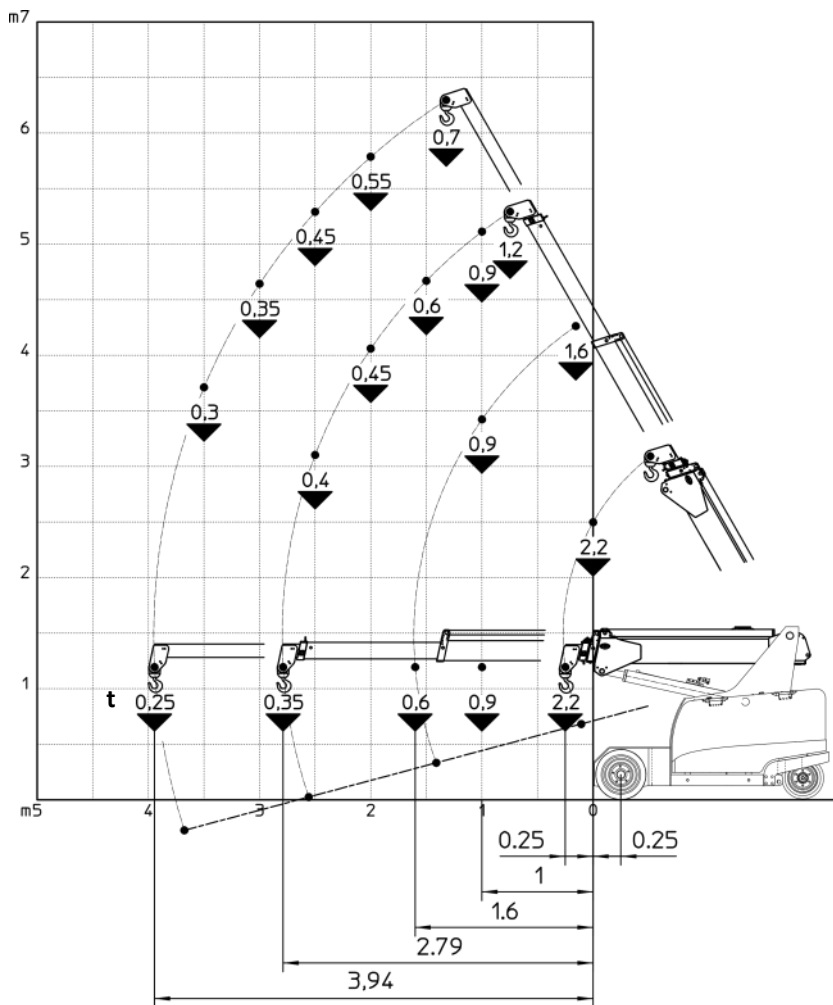


**MC 22 - Max capacity 2,2 t**



**Electric by battery**

# MC 22



MODEL	MC22
CRANE CLASSIFICATION ACCORDING TO UNI ISO 4301-1	A3
REFERENCE STANDARDS	2006/42 CE - 2004/108 CE I.S.P.E.S.L. DIN 15018 (1,3) - 15019 (1) Class H2 B3 ANSI B30.5 - 2007 and subsequent modifications
TRACTION	Electric
BOOM ACTIVATION	Hydraulic
POWER TYPE	Electric battery
MAX. CAPACITY (kg)	2200
TOTAL WEIGHT (kg)	2050
BOOM ANGLE TOPSIDE (°)	60
BOOM ANGLE DOWNSIDE (°)	-15

**FRAME:** JMG designed and manufactured, box type, torsion resistant design of high strength structural steel.

**BOOM:** Made of moulded and welded quality steel plate, comprised of a base unit, a hydraulic telescopic system and two manual extensions.

**MOTOR:** 2 Electric motors 2 kW 24 V AC

**BATTERY:** 24 V 420 Ah battery charging indicator.

**TRANSMISSION:** n.2 wheels drive at the front side.

**WHEELS:** Front: 2 Superelastic 18x7x8" - Rear: 2 Superelastic 15x4<sup>1/2</sup>x8".

**BRAKING:** Automatic on the rear wheels.

**STEERING:** Steering on the rear wheels by electric motor. Max. steering angle  $\pm 90^\circ$ .

**TRAVEL CONTROL:** Operated by radio remote console.

**ELECTRIC PUMP:** 2,5 kW 24 V DC motor

**HYDRAULIC SYSTEM:** Hydraulic system powered by a silenced gear pump. Actuators controlled by electro-proportional distributor with joystick. Filter and safety valve. 22 MPa max. working pressure.

**SAFETY DEVICES:** Electronic load moment indicator.

**OPTIONAL EQUIPMENT** (at extra charge) - Hydraulic winch - High speed winch - Jib - Non-marking wheels - Hydraulic boom with manual extension - Man basket - Hydraulic chain hoist.